

Schaefer Brush



Custom Metal Back Strip Brush Form

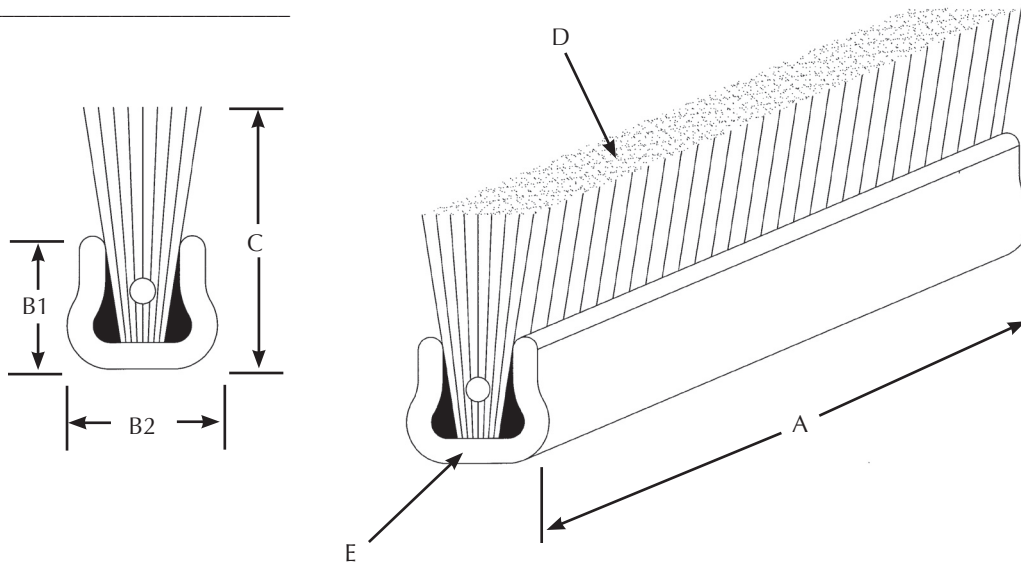
Section 14-1

Name: _____ Company: _____

Address: _____ City: _____ State: _____ Zip: _____

Phone: _____ Fax: _____ Email: _____

Date: _____



Brush Application: _____

A. Overall Length: _____

B. Size of Channel:

B1. Height of Channel: _____

B2. Width of Channel: _____

See Page 66-68 for Channel Size.

C. Overall Trim: _____

D. Trim Profile:

- Flat Shaved End Stepped
 Bevel Offset

See Page 66 for Pictures of Trim

E. Brush Shape:

- Helical Formed Cup Brush Coiled
 Internal Ring Formed Strip Brush Cylinders
 External Ring Straight

See Page 65 for Pictures of Shapes.

F. Brush Fill:

- Heavy Medium Light

1. Type:

- Nylon Stainless Steel
 Polypropylene Carbon Steel
 Polyester Silicon Carbide
 Grit Size: _____
 Tampico Aluminum Oxide
 Grit Size: _____
 Horse Hair Other _____
 Brass
 Phosphorus
 Bronze

2. Fill Diameter: _____

3. Crimped Level: _____

4. Color Preference: _____

G. Channel Material:

- Aluminum Steel
 Stainless Steel Other: _____
 Galvanized

H. I'm not sure what I want, have someone contact me!

Contact Me!

Fill out and Fax to Schaefer Brush
262-547-3927!

See Pages 67-68 for Extruded Holders.



1101 S. Prairie Ave. PO Box 148 Waukesha, WI 53187
 Phone 262-547-3500 1-800-347-3501 Fax 262-547-3927
 Email brushes@schaeferbrush.com www.schaeferbrush.com